

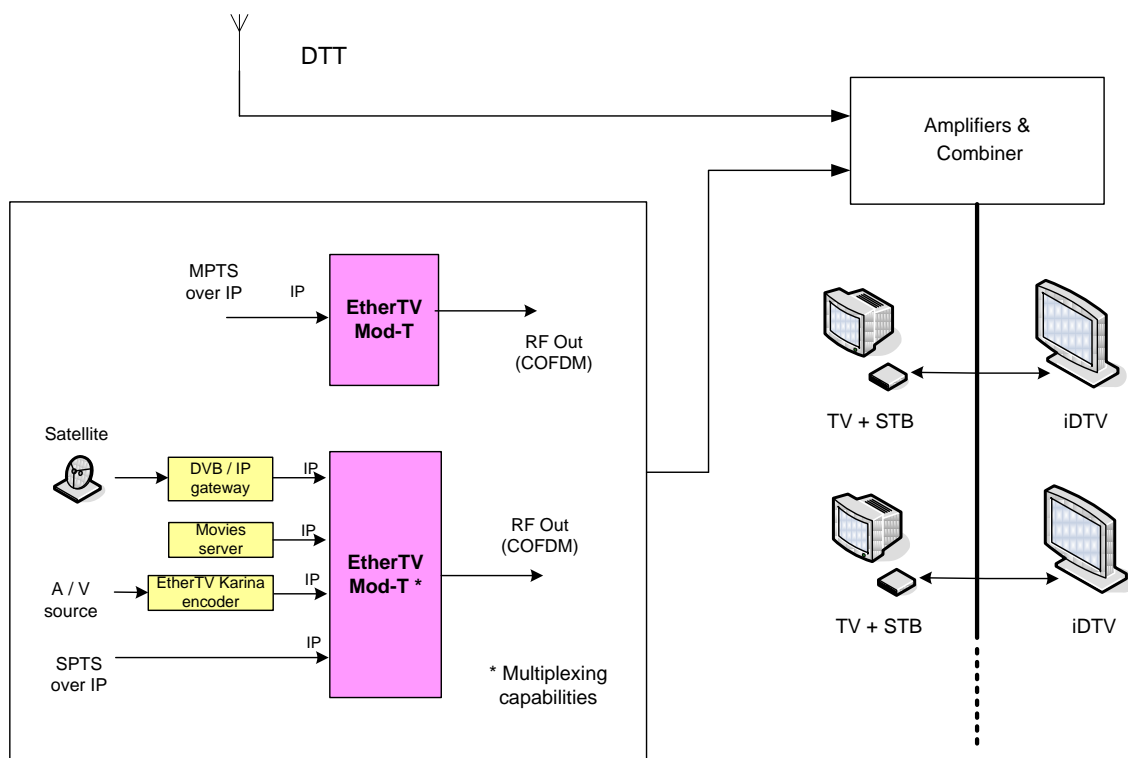
EtherTV COFDM Modulator:

EtherTV Modulator allows to add digital TV and radio channels coming from different sources, presented in IP streams (TS over IP), into installations ready for DVB-T distribution (COFDM); in these sites (MDUs, hotels, hospitals, ships ...) the use of digital receivers (STBs and iDTVs) is very widespread all over the world, and full when analogue switch-off becomes a reality.

EtherTV Modulator is the perfect component to be used with EtherTV DVB-IP gateways or EtherTV Karina encoders to get digital TV channels available to DVB-T receivers in Corporate and Hospitality scenarios.

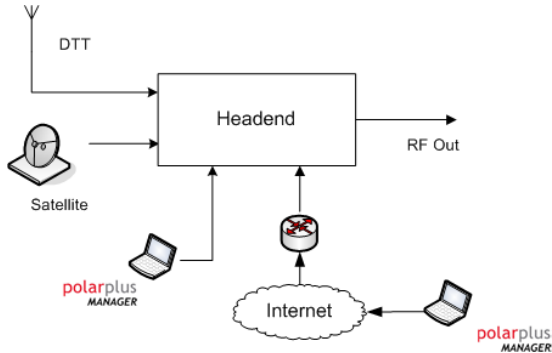
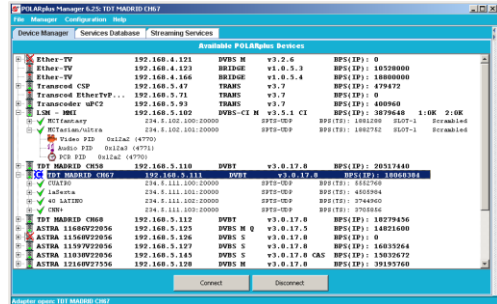
Using EtherTV Modulator device, new TV channels will be added to the already existing DVB-T offer in a very efficient, compact and easy way. Usually the new contents will come from satellite (DVB-S/S2), but also from other sources like CATV (DVB-C), IPTV systems, encoders or video-servers.

Although EtherTV Modulator acts a single COFDM modulator of a incoming MPTS over IP, it has powerful multiplexing functionalities at very low cost, that turns into an efficient and flexible solution because it generates OFDM channels with contents from different IP streams.



The management of this device is done easily through a software tool "POLARplus Manager" that can be installed in any PC or laptop (Windows or Linux) and connected to the device via IP.

The device's output needs to be externally filtered and combined. Each EtherTV Modulator generates a terrestrial MUX (up to 23 Mbps) and its operation is independent of encoding and display resolution, i.e. MPEG-2 or H.264 TV channels presented in SD or HD can be inserted into DVB-T distribution network.

Channel	Frequency	Modulation	Code Rate	Guard Interval	Roll-off Factor	Power	Service ID	Service Name
Ether-TV	192.168.4.121	DVB-S M	v3.2.6				0	
Ether-TV	192.168.4.123	BRIDGE	v1.0.5.3				10520000	
Ether-TV	192.168.4.166	BRIDGE	v1.0.5.4				18000000	
Transcode CSP	192.168.5.47	TRAME	v3.7				479472	
Transcode EtherTV...	192.168.5.71	TRAME	v3.7				0	
Transcode MPEG2	192.168.5.93	TRAME	v3.7				400960	
LOW - BEI	192.168.5.102	DVB-S CI M	v3.5.1 CI				3879648	1.0K 2.0K
RTTFactory	234.4.102.100.20000	SPTS-MEP					1051200	SDOT-1
RTTFactory	234.4.102.101.20000	SPTS-MEP					1062784	SDOT-2
RTTFactory	234.4.102.102.20000	SPTS-MEP					1074304	SDOT-3
RTTFactory	234.4.102.103.20000	SPTS-MEP					1085824	SDOT-4
RTTFactory	234.4.102.104.20000	SPTS-MEP					1097344	SDOT-5
RTTFactory	234.4.102.105.20000	SPTS-MEP					1108864	SDOT-6
RTTFactory	234.4.102.106.20000	SPTS-MEP					1120384	SDOT-7
RTTFactory	234.4.102.107.20000	SPTS-MEP					1131904	SDOT-8
RTTFactory	234.4.102.108.20000	SPTS-MEP					1143424	SDOT-9
RTTFactory	234.4.102.109.20000	SPTS-MEP					1154944	SDOT-10
RTTFactory	234.4.102.110.20000	SPTS-MEP					1166464	SDOT-11
RTTFactory	234.4.102.111.20000	SPTS-MEP					1177984	SDOT-12
RTTFactory	234.4.102.112.20000	SPTS-MEP					1189504	SDOT-13
RTTFactory	234.4.102.113.20000	SPTS-MEP					1201024	SDOT-14
RTTFactory	234.4.102.114.20000	SPTS-MEP					1212544	SDOT-15
RTTFactory	234.4.102.115.20000	SPTS-MEP					1224064	SDOT-16
RTTFactory	234.4.102.116.20000	SPTS-MEP					1235584	SDOT-17
RTTFactory	234.4.102.117.20000	SPTS-MEP					1247104	SDOT-18
RTTFactory	234.4.102.118.20000	SPTS-MEP					1258624	SDOT-19
RTTFactory	234.4.102.119.20000	SPTS-MEP					1270144	SDOT-20
RTTFactory	234.4.102.120.20000	SPTS-MEP					1281664	SDOT-21
RTTFactory	234.4.102.121.20000	SPTS-MEP					1293184	SDOT-22
RTTFactory	234.4.102.122.20000	SPTS-MEP					1304704	SDOT-23
RTTFactory	234.4.102.123.20000	SPTS-MEP					1316224	SDOT-24
RTTFactory	234.4.102.124.20000	SPTS-MEP					1327744	SDOT-25
RTTFactory	234.4.102.125.20000	SPTS-MEP					1339264	SDOT-26
RTTFactory	234.4.102.126.20000	SPTS-MEP					1350784	SDOT-27
RTTFactory	234.4.102.127.20000	SPTS-MEP					1362304	SDOT-28
RTTFactory	234.4.102.128.20000	SPTS-MEP					1373824	SDOT-29
RTTFactory	234.4.102.129.20000	SPTS-MEP					1385344	SDOT-30
RTTFactory	234.4.102.130.20000	SPTS-MEP					1396864	SDOT-31
RTTFactory	234.4.102.131.20000	SPTS-MEP					1408384	SDOT-32
RTTFactory	234.4.102.132.20000	SPTS-MEP					1419904	SDOT-33
RTTFactory	234.4.102.133.20000	SPTS-MEP					1431424	SDOT-34
RTTFactory	234.4.102.134.20000	SPTS-MEP					1442944	SDOT-35
RTTFactory	234.4.102.135.20000	SPTS-MEP					1454464	SDOT-36
RTTFactory	234.4.102.136.20000	SPTS-MEP					1465984	SDOT-37
RTTFactory	234.4.102.137.20000	SPTS-MEP					1477504	SDOT-38
RTTFactory	234.4.102.138.20000	SPTS-MEP					1489024	SDOT-39
RTTFactory	234.4.102.139.20000	SPTS-MEP					1500544	SDOT-40
RTTFactory	234.4.102.140.20000	SPTS-MEP					1512064	SDOT-41
RTTFactory	234.4.102.141.20000	SPTS-MEP					1523584	SDOT-42
RTTFactory	234.4.102.142.20000	SPTS-MEP					1535104	SDOT-43
RTTFactory	234.4.102.143.20000	SPTS-MEP					1546624	SDOT-44
RTTFactory	234.4.102.144.20000	SPTS-MEP					1558144	SDOT-45
RTTFactory	234.4.102.145.20000	SPTS-MEP					1569664	SDOT-46
RTTFactory	234.4.102.146.20000	SPTS-MEP					1581184	SDOT-47
RTTFactory	234.4.102.147.20000	SPTS-MEP					1592704	SDOT-48
RTTFactory	234.4.102.148.20000	SPTS-MEP					1604224	SDOT-49
RTTFactory	234.4.102.149.20000	SPTS-MEP					1615744	SDOT-50

Main Features

- Input of MPEG-2 Transport Streams over IP
- Multiplexing to generate a TS compatible with DVB-T (ETSI EN 300 744)
- COFDM modulator in VHF and UHF bands
- Maximum efficiency and flexibility in the channel multiplexing
- PID remapping support
- SAP/SDP support
- Hot swappable and auto-start feature
- Compact Solution based on blade operation inside three possible chassis (see etherTV chassis brochure). 1RU/19" chassis is also available (see EtherTV Flex brochure)
- Easy configuration via **POLARplus Manager** software tool
- Extremely robust and durable (24/7 operation)



Specifications and Requirements

- COFDM Output
 - Connector: BNC (male), 75 Ω
 - Output Frequency:
 - UHF band (35 – 69 channel range); other frequencies, ask to the manufacturer
 - Output level, adjustable: 50 - 70 dBμV
 - MER: > 35 dB
 - Channel bandwidth: 6, 7, 8 MHz
 - Modulation: QPSK, 16QAM, 64 QAM
 - FEC: 1/2, 2/3, 3/4, 5/6, 7/8



- Guard interval: 1/4, 1/8, 1/16, 1/32
- Number of carriers: 2k, 8k
- Maximum bitrate: 23 Mbps
- Standard compliance ETSI EN 300 744 v1.5.1 “Digital Video Broadcasting (DVB); Framing structure, channel coding and modulation for digital terrestrial television”
- Network Interface (Streaming and Management)
 - 10/100 (RJ45) half/full duplex, auto negotiate
- Network Protocols
 - UDP/RTP (Input streaming)
 - TCP/IP and SAP/SDP (Management)
- Power:
 - 6 W
- Physical:
 - Height x Width x Depth: 129 x 20 x 174 mm
 - Weight: 150 gr.
- Environmental:
 - Agency Approvals: CE, RoHS
 - Humidity: Up to 80%, non condensing
 - Temperature: 0 to +50 °C; fan less when operated in single box chassis
- Limited Warranty:
 - 1 year standard limited warranty. Warranty extensions are available

Ordering Information

- **POL-ETV-MOD-T:** EtherTV COFDM modulator board; IP input(s) and a single COFDM output
 - **MOD-MUX:** EtherTV Modulator option; Multiplexing capability

www.mediastream.cz